



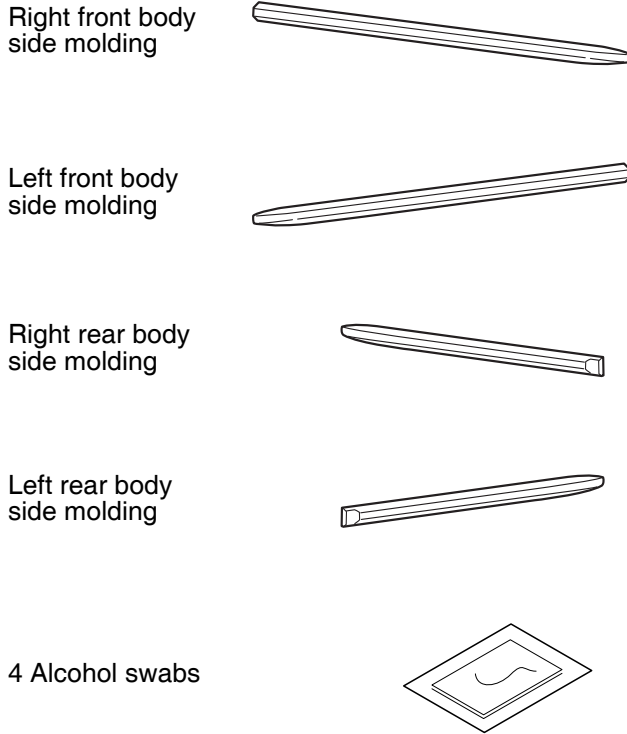
INSTALLATION INSTRUCTIONS

Accessory
BODY SIDE MOLDINGS

Application
2012 MDX

Publications No.
BII 46608
Issue Date
OCT 2011

PARTS LIST



TOOLS AND SUPPLIES REQUIRED

- Tape measure
- Rubber roller (T/N MHLE54D)
- Shop towel
- Felt-tip pen
- Masking tape

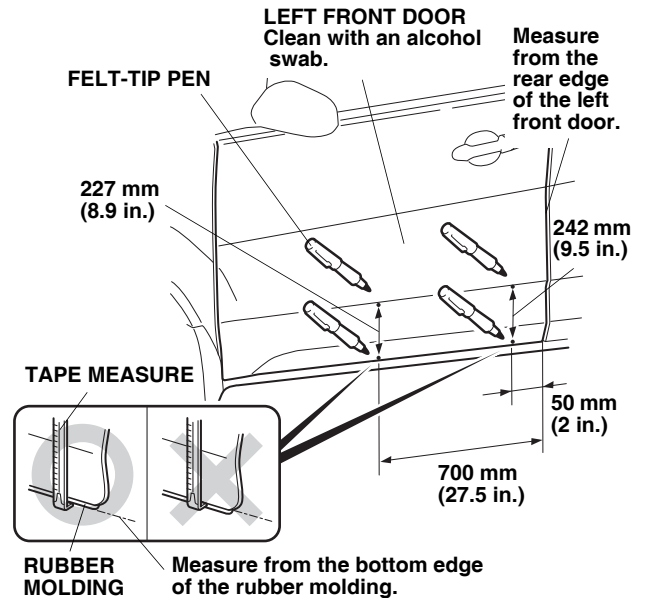
INSTALLATION

NOTE:

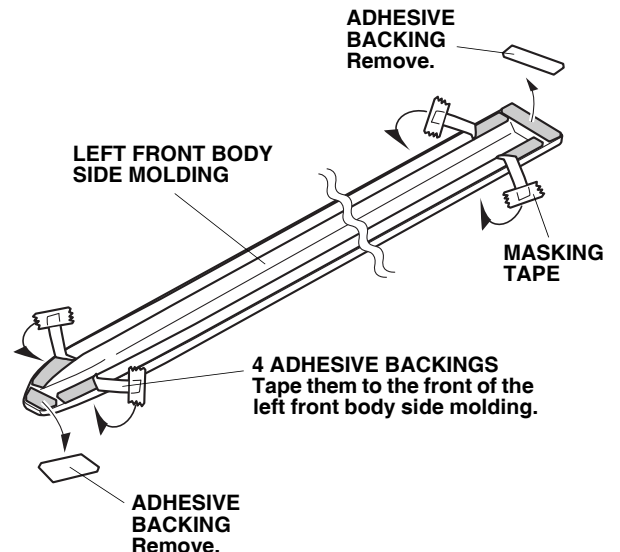
- If you're also installing door edge guards (sold separately), install them before you install the body side moldings.
- Be careful not to damage the paint finish.
- This body side moldings kit should be installed only if the ambient air temperature is 15°C (60°F) or above.
- To allow the adhesive to cure, do not wash the vehicle for 24 hours. Please advise your client.
- These instructions are for the left side of the vehicle. The same procedure applies to the right side of the vehicle.

Installing the Left Front Body Side Molding

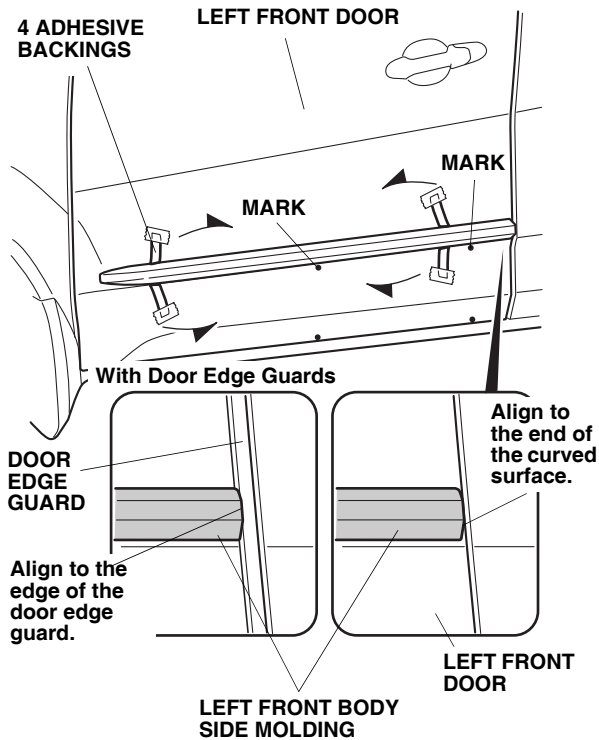
1. Using one alcohol swab, clean the area where the left front body side molding will attach.



2. Using a felt-tip pen, mark the left front door at the measurements shown.
3. On the back of the left front body side molding, remove 25 mm (1 in.) of adhesive backings from the four ends, and tape them to the front of the left front body side molding. Remove the remaining adhesive backings.



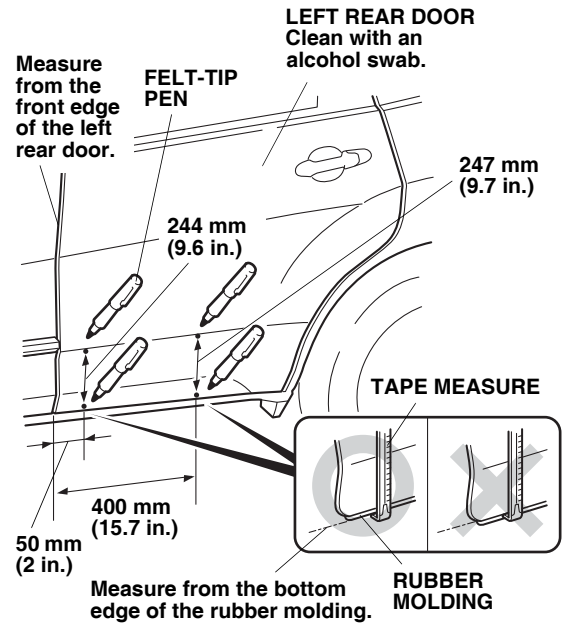
- Position the left front body side molding on the left front door, and align it with the two marks made in step 2.
NOTE: If door edge guards are installed, align the rear edge of the left front body side molding with the door edge guard.



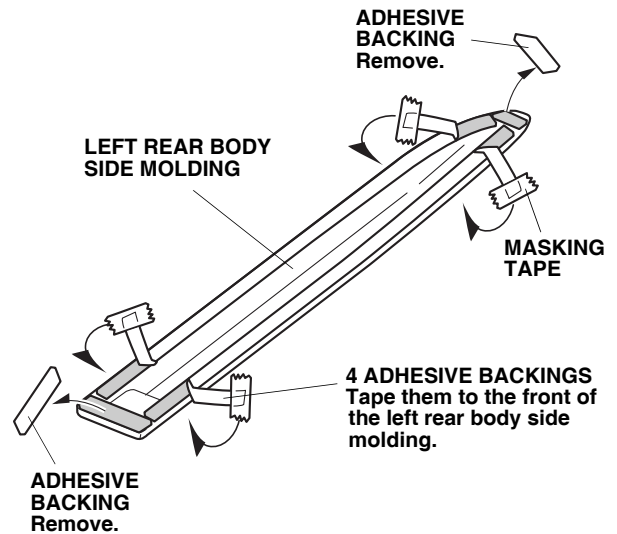
- While applying pressure on the left front body side molding, carefully remove the four adhesive backings. Apply firm pressure to the left front body side molding with the palms of your hands, particularly at the ends, for 30 seconds.
- Wipe off the marks from the left front door.

Installing the Left Rear Body Side Molding

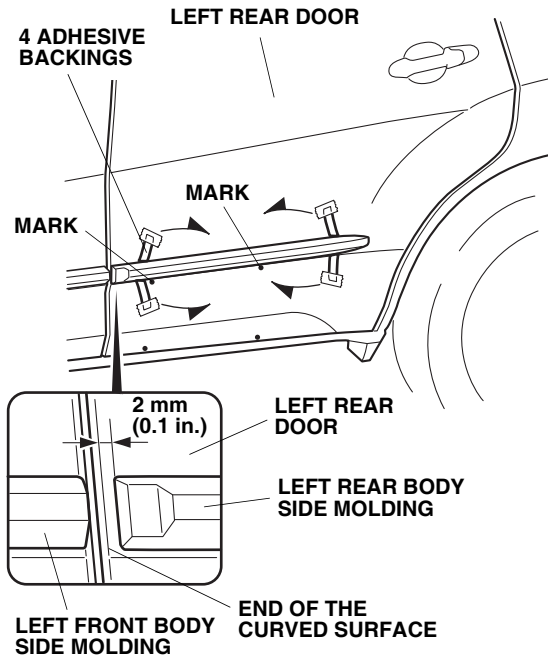
- Using one alcohol swab, clean the area where the left rear body side molding will attach.



- Using a felt-tip pen, mark the left rear door at the measurements shown.
- On the back of the left rear body side molding, remove 25 mm (1 in.) of adhesive backings from the four ends, and tape them to the front of the left rear body side molding. Remove the remaining adhesive backings.

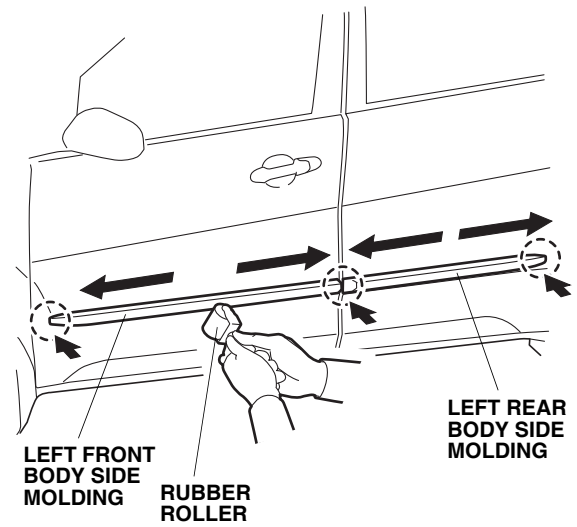


10. Position the left rear body side molding on the left rear door, and align it with the two marks made in step 8.



11. While applying pressure on the left rear body side molding, carefully remove the four adhesive backings. Apply firm pressure to the left rear body side molding with the palms of your hands, particularly at both ends, for 30 seconds.
12. Wipe off the marks from the left rear door.

13. Using a rubber roller, apply pressure along the entire length of the left front and left rear body side moldings.



14. Repeat steps 1 thru 13 to install the body side moldings on the right side of the vehicle.